

Paper Feed Unit
(G568 17/26/27/57/66/67)

Paper Feed Unit (G568 17/26/27/57/66/67)

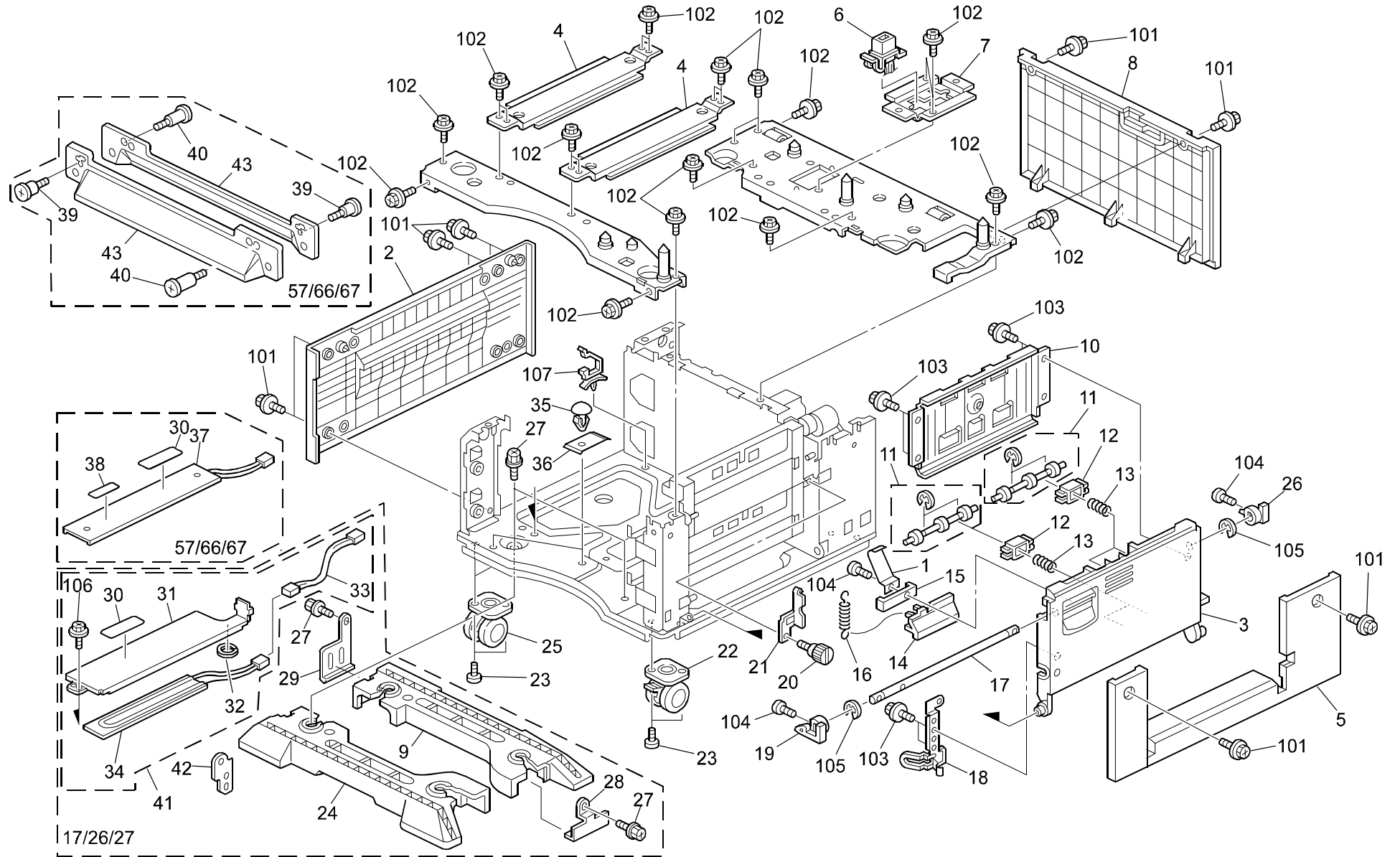
PARTS CATALOG

This catalog gives the numbers and names of parts on this machine.

1.Exterior (G568)	2
2.Paper Cassette (G568).....	4
3.Paper Feed Section 1 (G568).....	6
4.Paper Feed Section 2 (G568).....	8
5.Drive And Electrical (G568)	10
6.Interface Board (G568 17/26/27)	12
7.Interface Board (G568 57/66/67)	14
8.Decals And Documents (G568)	16
Parts index.....	19

February ,20 ' 2004

1.Exterior (G568)

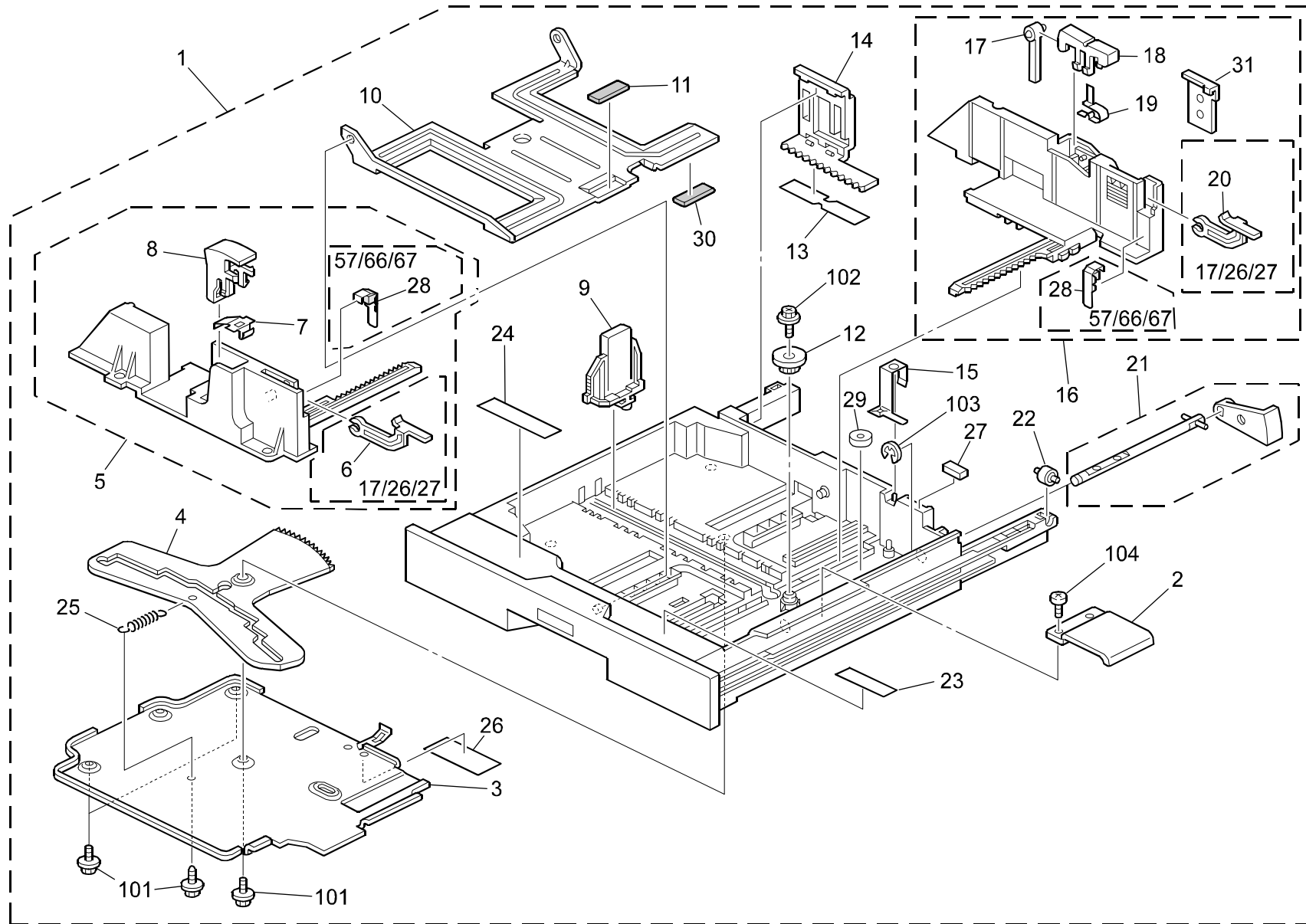


1.Exterior (G568)

Index No.	Part No.	Description	Q'ty Per Assembly
1	G569 2570	Grounding Plate - Vertical Transport Shaft	1
2	G568 1283	Left Cover	1
3	G568 2510	Guide Plate - Vertical Transport	1
4	A682 1067	Upper Middle Stay	2
5	G568 1250	Right Cover	1
6	G568 5320	Harness - Interface	1
7	G569 1078	Drawer Bracket	1
8	G568 1251	Rear Cover	1
9	G569 6161	Rear Stand (17/26/27)	1
10	G569 2565	Guide Plate - Vertical Transport	1
11	A232 2862	Driven Roller	2
12	AA08 0254	Bushing - M4	4
13	AA06 3573	Compression Spring	4
14	G568 2551	Lever - Vertical Transport	1
15	A682 2559	Lever Stopper	1
16	AA06 0715	Pressure Spring	1
17	AA14 0670	Un Lock Shaft	1
18	A682 2565	Stopper - Vertical Transport Cover	1
19	A682 2552	Front Hook - Vertical Transport	1
20	G568 6220	Fixing Screw	1
21	G567 6310	Bracket:Coupling:Paper Bank	1
22	AH01 2013	Stopper Caster - 60kgf	2
23	A507 1096	Philips Screw - M5x6	8
24	G569 6160	Front Stand (17/26/27)	1
25	AH01 2014	Caster - 60kgf	2
26	A682 2553	Rear Hook - Vertical Transport Cover	1
27	A548 6121	Screw - M4 (57/66/67)	2
28	G569 6169	Rear Right Stand Bracket (17/26/27)	1
29	G569 6168	Rear Left Stand Bracket (17/26/27)	1
30	GA00 3056	Decal - Heater Warning	1
31	G568 6560	Heater Sink Plate (17/26/27)	1
32	A230 2525	Stopper - Heater (17/26/27)	1
33	G568 5340	Heater Harness	1
34	AX40 0109	Heater - 120V 9W (17/26/27)	1
34	AX40 0110	Heater - 230V 9W (17/26/27)	1

Index No.	Part No.	Description	Q'ty Per Assembly
35	G568 1080	Anchor Clip - 1026	2
36	G568 1160	Sheet - Base	1
37	G313 5560	Heater - 13w 100mm NA/EU (57/66/67)	1
38	G568 6570	Decal - Hightemperature 120 ° C (57/66/67)	1
39	G569 6206	Stepped Screw - Short	2
40	G569 6207	Stepped Screw - Long	2
41	G568 6502	Heater (120V 17/26/27)	1
41	G568 6504	Heater (230V 17/26/27)	1
42	G569 6170	Bracket - Stand (17/26/27)	1
43	G569 6200	Side Stand (57/66/67)	2
101	0451 3008H	Tapping Screw - M3x8	
102	0451 3006B	Tapping Screw - M3x6	
103	0450 4010B	Tapping Screw - 4x10	
104	0353 0060B	Philips Pan Head Screw - M3x6	
105	0805 0088	Retaining Ring - M6	
106	0951 4008Z	Philips Screw With Flat Washer - M4x8	
107	1105 0487	Harness Clamp	

2.Paper Cassette (G568)

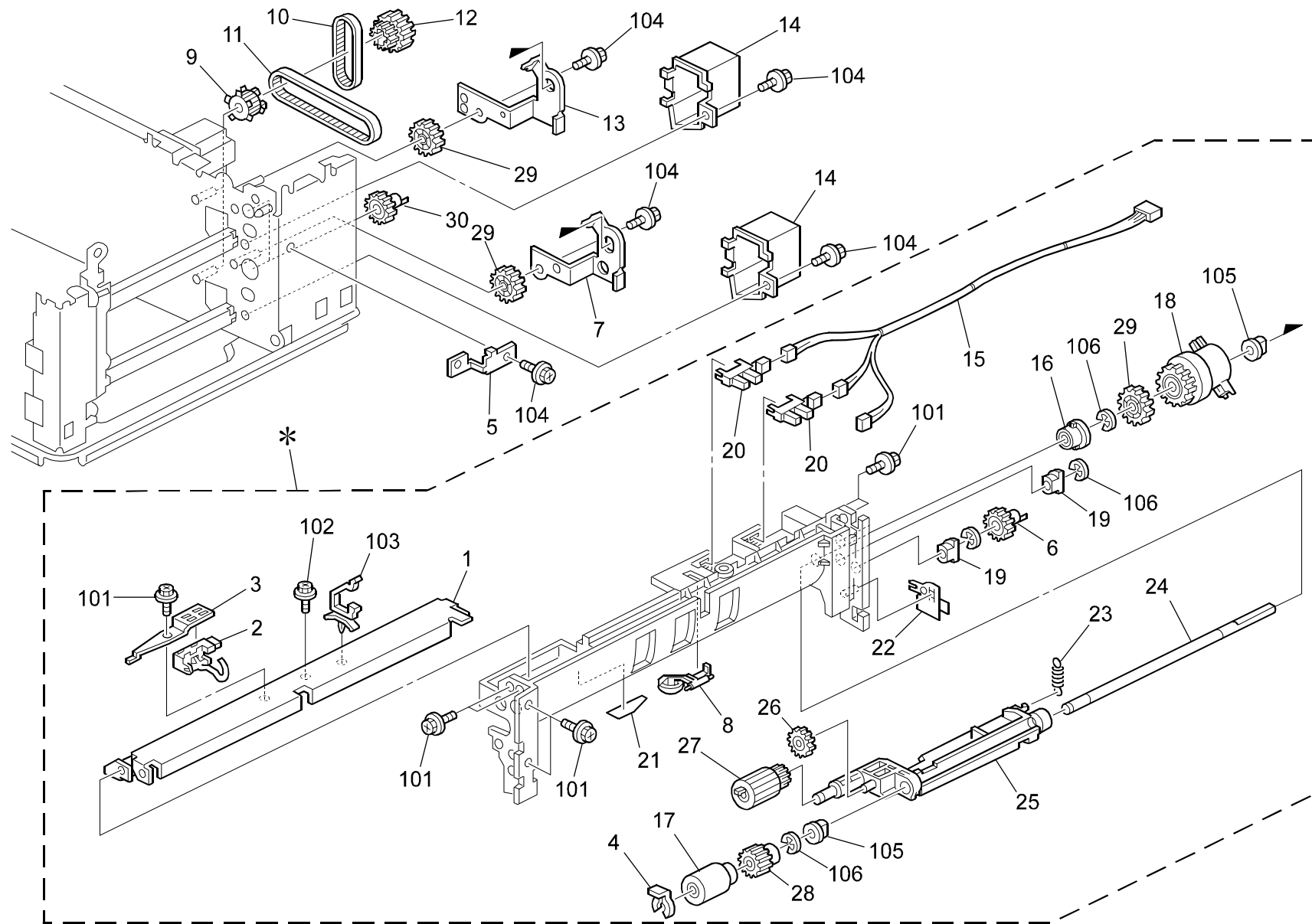


2.Paper Cassette (G568)

Index No.	Part No.	Description	Q'ty Per Assembly
1	G568 2952	Paper Tray - Paper Bank (17/26/27)	2
1	G568 2953	Paper Tray Paper Bank Ass'y (57/66/67)	2
2	A204 2972	Bottom Lift Lever	1
3	G568 2790	Paper Size Sensor Cover	1
4	G568 2796	Link - Paper Size Detection Plate	1
5	G568 2783	Side Fence:Front:Ass'y	1
6	G568 2789	Front Paper Holder	1
7	A134 2978	Spring Plate	1
8	A134 2976	Stopper Lever	1
9	G568 2784	End Fence	1
10	G568 2770	Tray Bottom Plate:Hltr:Ass'y	1
11	AF01 3014	Bottom Plate Pad	1
12	AB01 3868	Gear - 16Z	1
13	G568 2800	Flange - Paper Size Detection Plate	1
14	G568 2797	Paper Size Sensor Board	1
15	G313 2775	Spring Plate	1
16	G568 2786	Side Fence:Rear:Ass'y	1
17	A267 2859	Side Fence Stopper	1
18	A267 2860	Rear Lever Stopper	1
19	A267 2857	Spring Plate - Side Fence	1
20	G568 2792	Rear Paper Holder	1
21	G060 2774	Lift Shaft	1
22	A232 2987	Roller - Paper Tray	1
23	GA00 3068	Decal:Paper Tray:No.2:Right	1
24	GA00 3067	Decal:Paper Tray:No.2:Left	1
25	G313 2783	Tension Spring - Paper Size Detect	1
26	G568 2794	Sheet - Tray - Lower	1
27	G313 2782	Shield	1
28	G568 2925	Shield:Side Fence:Ass'y	1
29	G313 2788	Cushion:Base:2	1
30	G313 2787	Cushion:Tray Bottom Plate	1
31	G568 2758	Paper Stopper:Side Fence	2

Index No.	Part No.	Description	Q'ty Per Assembly
101	0450 3008B	Tapping Screw - M3x8	
102	0450 4010B	Tapping Screw - 4x10	
103	0720 0060E	Retaining Ring - M6	
104	0314 0060B	Philips Pan Head Screw - M4x6	

3.Paper Feed Section 1 (G568)

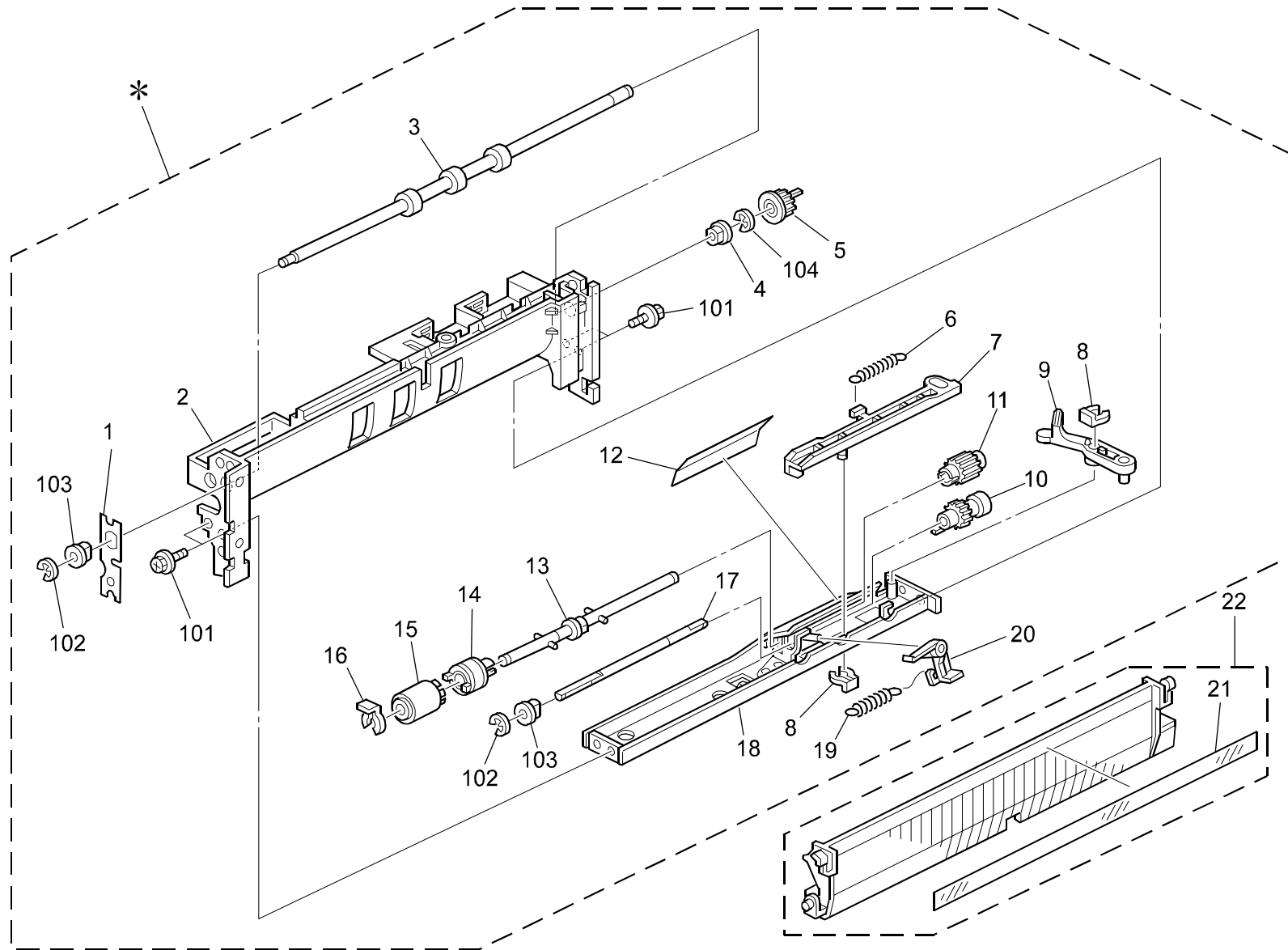


3.Paper Feed Section 1 (G568)

Index No.	Part No.	Description	Q'ty Per Assembly
*	G568 2650	Paper Feed Unit (17/26/27)	2
*	G568 2660	Paper Feed Unit Ass'y (57/66/67)	1
1	A232 2780	Stay - Paper Feed	2
2	AW02 0131	Photo-interruptor-vertical Transp.	2
3	A232 2781	Sensor Bracket	2
4	AA10 0014	Retaining Ring C - Separate	2
5	G567 6311	Bracket:Coupling:2	1
6	G569 2822	Gear - Z30	4
7	G568 2842	Drum Stay - Feed Roller	1
8	A232 2762	Paper End Feeler	2
9	G568 2838	Timing Pulley - 20T	2
10	G569 2819	Timing Belt - S3M 222	2
11	G568 2840	Timing Belt - S3M 258	2
12	G568 2836	Gear - Z28/20T	2
13	G569 2846	Upper Drum Stay - Feed Roller	1
14	G568 2692	Cover - Drive	2
15	G568 5370	Harness - Paper Feed Unit	2
16	AA08 3014	One-way Clutch	2
17	AF03 1049	Feed Roller (17/26/27)	2
17	AF03 1085	Paper Feed Roller - Feed (57/66/67)	2
18	AX20 0221	Magnetic Clutch - Paper Feed	2
19	AA08 2072	Bushing - M6	4
20	AW02 0056	Photointerruptor - EE-SX4235A-P1	4
21	A232 2766	Feed Mylar	2
22	G313 2764	Rear Grounding Plate	2
23	AA06 0691	Tension Spring	2
24	AA14 0743	Shaft - Feed	2
25	A232 2763	Pick-up Arm	2
26	AB01 1188	Gear - 21Z	2
27	AF03 0049	Pick-up Roller (17/26/27)	2
27	AF03 0085	Paper Feed Roller - Pickup (57/66/67)	2
28	AB01 1218	Gear - Roller Clutch	2
29	G569 2724	Gear - Z24	3
30	AB01 4038	Gear - 22Z	2

Index No.	Part No.	Description	Q'ty Per Assembly
101	0451 3005B	Tapping Screw - M3x5	
102	0451 3008B	Tapping Screw - M3x8	
103	1105 0511	Harness Clamp - LWS-0306ZC	
104	0451 3006B	Tapping Screw - M3x6	
105	0805 3480	Bushing - 6mm	
106	0805 0089	Retaining Ring - M4	

4.Paper Feed Section 2 (G568)

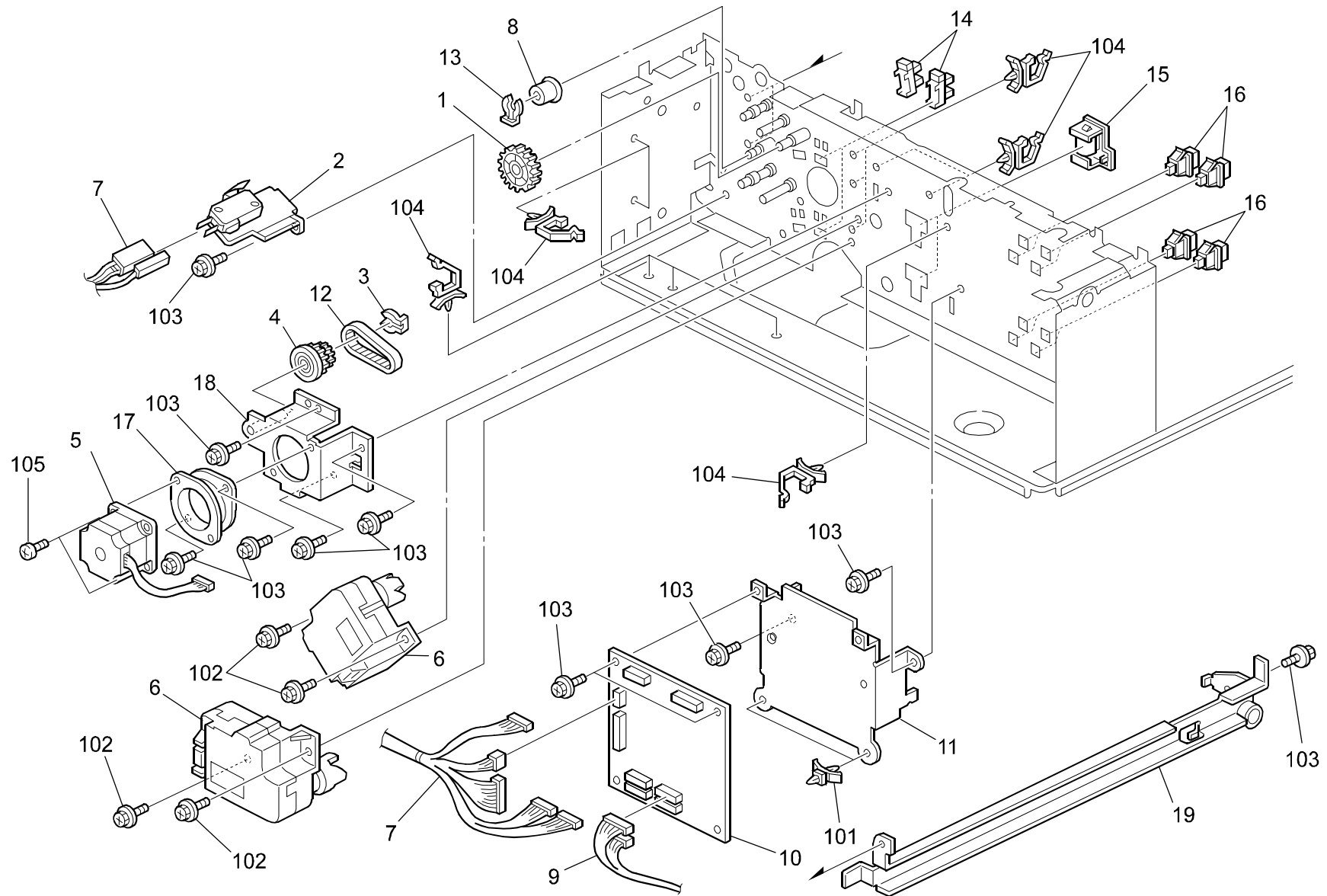


4.Paper Feed Section 2 (G568)

Index No.	Part No.	Description	Q'ty Per Assembly
*	G568 2650	Paper Feed Unit	2
1	G313 2765	Front Grounding Plate	2
2	G568 2857	Housing:Paper Feed Unit:Florida-b	2
3	AF02 0404	Transport Roller	2
4	AA08 2070	Bushing - 8x16x7	2
5	AB03 0565	Timing Pulley - 20T	2
6	AA06 0693	Tension Spring	2
7	G065 2775	Link Lever	2
8	5206 2686	Snap Ring	4
9	G065 2776	Release Lever	2
10	AB01 0106	Gear - 24Z	2
11	AB01 0107	Gear - 23Z	2
12	B004 2782	Rear Feed Mylar	2
13	G568 2689	Bank Separate Driven Shaft	2
14	G060 2900	Torque Limiter - 40mn·m 18mm	2
15	AF03 2049	Separation Roller (17/26/27)	2
15	AF03 2085	Paper Feed Roller - Separate (57/66/67)	2
16	AA10 0014	Retaining Ring C - Separate	2
17	AA14 0656	Shaft - Gear	2
18	G060 2725	Stay - Paper Separation	2
19	AA06 0908	Release Spring	2
20	G065 2774	Pressure Lever	2
21	A232 2787	Vertical Transport Guide	2
22	A232 2785	Vertical Guide	2

Index No.	Part No.	Description	Q'ty Per Assembly
101	0451 3005B	Tapping Screw - M3x5	
102	0720 0040E	Retaining Ring - M4	
103	0805 3480	Bushing - 6mm	
104	0720 0060E	Retaining Ring - M6	

5. Drive And Electrical (G568)



5. Drive And Electrical (G568)

Index No.	Part No.	Description	Q'ty Per Assembly
1	G569 2829	Gear - 31Z	1
2	A232 2881	Micro Switch - On-off Detector	1
3	5215 2621	Snap Ring - M6	1
4	G568 2835	Gear - Z19/29T	1
5	G568 2702	Stepper Motor - DC4.42W	1
6	AX04 0128	DC Motor - 2.16W	2
7	G568 5300	Harness - Main	1
8	G568 2839	Tightener - M16	1
9	G568 5310	Harness - Paper Size Sensor	1
10	G568 5111	Interface Board (17/26/27)	1
10	G568 5115	PCB Ass'y (57/66/67)	1
11	G568 1187	Bracket - Interface Board	1
12	G569 2850	Timing Belt - S3M150	1
13	AA10 0014	Retaining Ring C - Separate	1
14	AW02 0056	Photointerruptor - EE-SX4235A-P1	4
15	G060 2801	Holder - Paper Tray	2
16	AW50 0023	Push Switch	8
17	AA16 1131	Cushion - Stepper Motor	1
18	G568 2830	Bracket - Stepper Motor	1
19	G568 2990	Paper Tray Supporter	2

Index No.	Part No.	Description	Q'ty Per Assembly
101	1105 0192	Locking Support	
102	0451 3008B	Tapping Screw - M3x8	
103	0451 3006B	Tapping Screw - M3x6	
104	1105 0487	Harness Clamp	
105	0314 0080B	Philips Pan Head Screw - M4x8	

6.Interface Board (G568 17/26/27)

CAPACITOR

SYMBOL NO.	INDEX NO.
C100	138
C101	138
C102	138
C103	137
---	---
C105	143
C106	142
C107	142
C108	142
C109	142

SYMBOL NO.	INDEX NO.
C110	142
C111	142
C112	142
C113	142
C114	142
C115	142
C116	142
C117	142
C118	141
C119	141

SYMBOL NO.	INDEX NO.
C120	141
C121	141
C122	141
C123	141
C124	141
C125	141
C126	141
C127	141
C128	141
C129	141

SYMBOL NO.	INDEX NO.
C130	141
C131	141
C132	141
C133	141
C134	141
C135	141
C136	141
C137	140
C138	139
C139	139

SYMBOL NO.	INDEX NO.
C140	141
C141	141
C142	141
C143	141

CONNECTOR IC

SYMBOL NO.	INDEX NO.
CN100	104
CN101	101
CN102	103
CN103	108
CN104	102
CN105	106
CN106	105
CN107	107

SYMBOL NO.	INDEX NO.
IC100	1
IC101	117
IC102	115
IC103	114
IC104	118
IC105	113
IC106	116

JP

SYMBOL NO.	INDEX NO.
JP100	132
JP101	133

PC

SYMBOL NO.	INDEX NO.
PC100	112

RESISTOR

SYMBOL NO.	INDEX NO.
R100	123
R101	125
R102	125
R103	125
R104	125
R105	125
R106	125
R107	125
R108	125
---	---

SYMBOL NO.	INDEX NO.
R110	125
R111	125
R112	131
R113	130
R114	130
R115	130
R116	129
R117	128
R118	127
R119	126

SYMBOL NO.	INDEX NO.
R120	124
R121	136
R122	135
---	---
R124	134
R125	128

RN

SYMBOL NO.	INDEX NO.
RN100	121
RN101	121
RN102	121
RN103	121
RN104	121
RN105	121
RN106	121
RN107	121
RN108	121
RN109	120

SYMBOL NO.	INDEX NO.
RN110	120
RN111	120
RN112	120
RN113	120
RN114	122

OSC

SYMBOL NO.	INDEX NO.
OSC100	119

Q

SYMBOL NO.	INDEX NO.
Q100	109

ZD

SYMBOL NO.	INDEX NO.
ZD100	111
ZD101	110

6.Interface Board (G568 17/26/27)

Index No.	Part No.	Description	Q'ty Per Assembly
*	G568 5111	Interface Board	1
1	G568 5510	IC - I/O Control	1

Index No.	Part No.	Description	Q'ty Per Assembly
101	1102 6300	Connector - 7P	
102	1102 6302	Connector - 9P	
103	1102 6305	Connector - 12P	
104	1102 6307	Connector - 14P	
105	1102 6308	Connector - 15P	
106	1102 6316	Connector - 9P	
107	1102 6321	Connector	
108	1102 7244	Connector	
109	1400 0398	Transistor - 2SC2412K	
110	1402 1378	Diode - PTZ12A	
111	1402 1380	Diode - PTZ 6.2A	
112	1403 0520	Photocoupler - Tlp521-1	
113	1407 1535	IC - TD62308AP	
114	1407 1596	TTLIC - SN74LS14NS	
115	1407 2187	TTLIC - SN74LS07NS	
116	1407 4687	IC - TA8083F	
117	1408 0611	IC - 3771	
118	1408 1394	IC - STK672-110	
119	1503 0865	Oscillator - 9.8304MHZ	
120	1601 7751	Resistor - 4.7K Ω \pm 5%	
121	1601 7752	Resistor Array - 10K Ω \pm 5%	
122	1601 7791	Resistor Array - 1K Ω \pm 5%	
123	1611 9222	Resistor - 2.2K Ω \pm 5% 1/2W	
124	1630 4100	Resistor - 10 Ω \pm 5% 1/16W	
125	1630 4103	Resistor - 10K Ω \pm 5% 1/16W	
126	1630 4161	Resistor - 160 Ω \pm 5% 1/16W	
127	1630 4201	Resistor - 200 Ω \pm 5% 1/16W	
128	1630 4222	Resistor - 2.2K Ω \pm 5%	
129	1630 4392	Resistor - 3.9 Ω \pm 5% 1/16W	
130	1630 4472	Resistor - 4.7K Ω \pm 5% 1/16W	
131	1630 4562	Resistor - 5.6k Ω - \pm 5% - 1/16W	
132	1633 0000	Resistor - 0 Ω 1/10W	
133	1634 0000	Resistor - 0 Ω 1/16W	
134	1634 5109	Resistor - 51.0 Ω \pm 1% 1/16W	
135	1634 5600	Resistor - 560 Ω \pm 1% 1/16W	

Index No.	Part No.	Description	Q'ty Per Assembly
136	1634 8201	Resistor - 8.2K Ω \pm 1% 1/16W	
137	1640 5100	Capacitor - 10 μ F+20% 50	
138	1640 5470	Capacitor - 47 μ F \pm 20% 50V	
139	1660 2220	Capacitor - 22pF \pm 20% 35V	
140	1660 2471	Capacitor - 470pF - \pm 5% - 50V	
141	1660 4102	Capacitor - 1000pF \pm 10% 50V	
142	1660 4103	Capacitor - 10000pF - \pm 10% - 50V	
143	1660 8104	Capacitor - 0.1 μ F+80-20% 25V	

Index No.	Part No.	Description	Q'ty Per Assembly

7.Interface Board (G568 57/66/67)

CAPACITOR

SYMBOL NO.	INDEX NO.
C101	129
C102	123
C103	128
---	---
C105	144
C106	143
C107	143
C108	143
C109	143
C110	143

SYMBOL NO.	INDEX NO.
C111	143
C112	143
C113	143
C114	143
C115	143
C116	143
C117	143
C118	142
C119	142
C120	142

SYMBOL NO.	INDEX NO.
C121	142
C122	142
C123	142
C124	142
C125	142
C126	142
C127	142
C128	142
C129	142
C130	142

SYMBOL NO.	INDEX NO.
C131	142
C132	142
C133	142
C134	142
C135	142
C136	142
C137	141
C138	140
C139	140
C140	142

SYMBOL NO.	INDEX NO.
C141	142
C142	142
C143	142

CONNECTOR

SYMBOL NO.	INDEX NO.
CN100	104
CN101	101
CN102	103
CN103	108
CN104	102
CN105	106
CN106	105
CN107	107

SYMBOL NO.	INDEX NO.
IC100	1
IC101	117
IC102	115
IC103	114
IC104	118
IC105	113
IC106	116

JP

SYMBOL NO.	INDEX NO.
JP100	126
JP101	127

PC

SYMBOL NO.	INDEX NO.
PC100	112

RESISTOR

SYMBOL NO.	INDEX NO.
R100	125
R101	131
---	---
R103	131
R104	131
R105	131
R106	131
R107	131
R108	131
---	---

SYMBOL NO.	INDEX NO.
R110	131
R111	131
R112	136
R113	135
R114	135
R115	135
R116	142
R117	134
R118	133
R119	132

SYMBOL NO.	INDEX NO.
R120	130
R121	139
R122	138
R124	137
R125	134

RN

SYMBOL NO.	INDEX NO.
RN101	121
RN102	121
RN103	121
RN104	121
RN105	121
RN106	121
RN107	121
RN108	121
RN109	120
RN110	120

SYMBOL NO.	INDEX NO.
RN111	120
RN112	120
RN113	120
RN114	122

OSC

SYMBOL NO.	INDEX NO.
OSC100	119

Q

SYMBOL NO.	INDEX NO.
Q100	109

RN

SYMBOL NO.	INDEX NO.
RN100	121

ZD

SYMBOL NO.	INDEX NO.
ZD100	110
ZD101	111

7.Interface Board (G568 57/66/67)

Index No.	Part No.	Description	Q'ty Per Assembly
*	G568 5115	PCB Ass'y	1
1	G568 5540	MPU:I/O:FLORIDA-B:P3	1

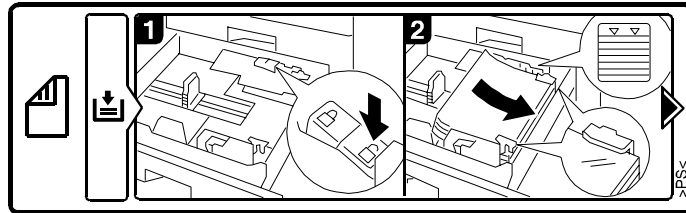
Index No.	Part No.	Description	Q'ty Per Assembly
101	1102 6300	Connector - 7P	
102	1102 6302	Connector - 9P	
103	1102 6305	Connector - 12P	
104	1102 6307	Connector - 14P	
105	1102 6308	Connector - 15P	
106	1102 6316	Connector - 9P	
107	1102 6321	Connector	
108	1102 7244	Connector	
109	1400 0398	Transistor - 2SC2412K	
110	1402 1662	Diode:Ptz6.2b	
111	1402 1663	Diode - ZTP12B	
112	1403 0520	Photocoupler - TLP521-1	
113	1407 1535	IC - TD62308AP	
114	1407 1596	TTLIC - SN74LS14NS	
115	1407 2187	TTLIC - SN74LS07NS	
116	1407 4687	IC - TA8083F	
117	1408 0611	IC - 3771	
118	1408 1394	IC - STK672-110	
119	1503 0865	Oscillator - 9.8304MHZ	
120	1601 7751	Resistor - 4.7K Ω \pm 5%	
121	1601 7752	Resistor Array - 10K Ω \pm 5%	
122	1601 7791	Resistor Array - 1K Ω \pm 5%	
123	1604 2522	Capacitor - 220 μ F \pm 20%	
124	1604 4659	Capacitor - 120 μ F \pm 20% 50V	
125	1611 9222	Resistor - 2.2K Ω \pm 5% 1/2W	
126	1633 0000	Resistor - 0 Ω 1/10W	
127	1634 0000	Resistor - 0 Ω 1/16W	
128	1640 5100	Capacitor - 10 μ F \pm 20% 50	
129	1640 5470	Capacitor - 47 μ F \pm 20% 50V	
130	1650 4100	Resistor - 10 Ω \pm 5% 1/10W	
131	1650 4103	Resistor - 10K Ω \pm 5% 1/10W	
132	1650 4161	Resistor - 160 Ω \pm 5% 1/10W	
133	1650 4201	Resistor - 200 Ω \pm 5%1/10W	
134	1650 4222	Resistor - 2.2K Ω \pm 5%1/10W	
135	1650 4472	Resistor - 4.7K Ω \pm 5% 1/10W	

Index No.	Part No.	Description	Q'ty Per Assembly
136	1650 4562	Resistor - 5.6K Ω \pm 5% 1/10W	
137	1654 5109	Resistor:51 Ω : \pm 1%:1/10w	
138	1654 5600	Resistor - 560 Ω \pm 1% 1/10W	
139	1654 8201	Resistor - 8.2K Ω \pm 1% 1/10W	
140	1660 2220	Capacitor - 22pF \pm 20% 35V	
141	1660 2471	Capacitor - 470pF - \pm 5% - 50V	
142	1660 4102	Capacitor - 1000pF \pm 10% 50V	
143	1660 4103	Capacitor - 10000pF - \pm 10% - 50V	
144	1660 8104	Capacitor - 0.1 μ F+80-20% 25V	

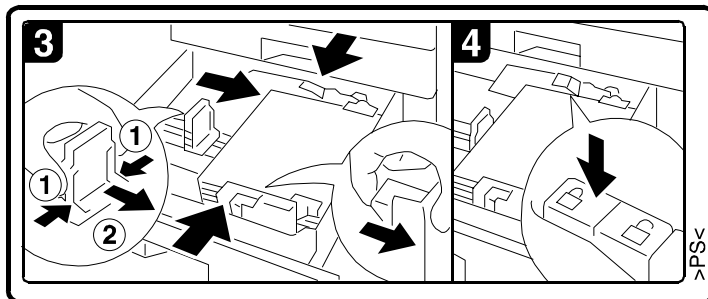
Index No.	Part No.	Description	Q'ty Per Assembly

8.Decals And Documents (G568)

1



2



3



8.Decals And Documents (G568)

Index No.	Part No.	Description	Q'ty Per Assembly
1	GA00 3067	Decal:Paper Tray:No.2:Left	1
2	GA00 3068	Decal:Paper Tray:No.2:Right	1
3	GA00 3056	Decal - Heater Warning	1
4	GA00 3040	Decal - Front	1

Index No.	Part No.	Description	Q'ty Per Assembly

Parts Index

Parts Index

Part No.	Description	Page and Index No.
G568 1080	Anchor Clip - 1026	3 - 35
G568 1160	Sheet - Base	3 - 36
G568 1187	Bracket - Interface Board	11 - 11
G568 1250	Right Cover	3 - 5
G568 1251	Rear Cover	3 - 8
G568 1283	Left Cover	3 - 2
G568 2510	Guide Plate - Vertical Transport	3 - 3
G568 2551	Lever - Vertical Transport	3 - 14
G568 2650	Paper Feed Unit	9 - *
G568 2650	Paper Feed Unit (17/26/27)	7 - *
G568 2660	Paper Feed Unit Ass'y (57/66/67)	7 - *
G568 2689	Bank Separate Driven Shaft	9 - 13
G568 2692	Cover - Drive	7 - 14
G568 2702	Stepper Motor - DC4.42W	11 - 5
G568 2758	Paper Stopper:Side Fence	5 - 31
G568 2770	Tray Bottom Plate:Hltr:Ass'y	5 - 10
G568 2783	Side Fence:Front:Ass'y	5 - 5
G568 2784	End Fence	5 - 9
G568 2786	Side Fence:Rear:Ass'y	5 - 16
G568 2789	Front Paper Holder	5 - 6
G568 2790	Paper Size Sensor Cover	5 - 3
G568 2792	Rear Paper Holder	5 - 20
G568 2794	Sheet - Tray - Lower	5 - 26
G568 2796	Link - Paper Size Detection Plate	5 - 4
G568 2797	Paper Size Sensor Board	5 - 14
G568 2800	Flange - Paper Size Detection Plate	5 - 13
G568 2830	Bracket - Stepper Motor	11 - 18
G568 2835	Gear - Z19/29T	11 - 4
G568 2836	Gear - Z28/20T	7 - 12
G568 2838	Timing Pulley - 20T	7 - 9
G568 2839	Tightener - M16	11 - 8
G568 2840	Timing Belt - S3M 258	7 - 11
G568 2842	Drum Stay - Feed Roller	7 - 7
G568 2857	Housing:Paper Feed Unit:Florida-b	9 - 2
G568 2925	Shield:Side Fence:Ass'y	5 - 28

Part No.	Description	Page and Index No.
G568 2952	Paper Tray - Paper Bank (17/26/27)	5 - 1
G568 2953	Paper Tray Paper Bank Ass'y (57/66/67)	5 - 1
G568 2990	Paper Tray Supporter	11 - 19
G568 5111	Interface Board	13 - *
G568 5111	Interface Board (17/26/27)	11 - 10
G568 5115	PCB Ass'y	15 - *
G568 5115	PCB Ass'y (57/66/67)	11 - 10
G568 5300	Harness - Main	11 - 7
G568 5310	Harness - Paper Size Sensor	11 - 9
G568 5320	Harness - Interface	3 - 6
G568 5340	Heater Harness	3 - 33
G568 5370	Harness - Paper Feed Unit	7 - 15
G568 5510	IC - I/O Control	13 - 1
G568 5540	MPU:I/O:FLORIDA-B:P3	15 - 1
G568 6220	Fixing Screw	3 - 20
G568 6502	Heater (120V 17/26/27)	3 - 41
G568 6504	Heater (230V 17/26/27)	3 - 41
G568 6560	Heater Sink Plate (17/26/27)	3 - 31
G568 6570	Decal - Hightemperature 120 ° C (57/66/67)	3 - 38

Part No.	Description	Page and Index No.
A134 2976	Stopper Lever	5 - 8
A134 2978	Spring Plate	5 - 7
A204 2972	Bottom Lift Lever	5 - 2
A230 2525	Stopper - Heater (17/26/27)	3 - 32
A232 2762	Paper End Feeler	7 - 8
A232 2763	Pick-up Arm	7 - 25
A232 2766	Feed Mylar	7 - 21
A232 2780	Stay - Paper Feed	7 - 1
A232 2781	Sensor Bracket	7 - 3
A232 2785	Vertical Guide	9 - 22
A232 2787	Vertical Transport Guide	9 - 21
A232 2862	Driven Roller	3 - 11
A232 2881	Micro Switch - On-off Detector	11 - 2
A232 2987	Roller - Paper Tray	5 - 22
A267 2857	Spring Plate - Side Fence	5 - 19
A267 2859	Side Fence Stopper	5 - 17
A267 2860	Rear Lever Stopper	5 - 18
A507 1096	Philips Screw - M5x6	3 - 23
A548 6121	Screw - M4 (57/66/67)	3 - 27
A682 1067	Upper Middle Stay	3 - 4
A682 2552	Front Hook - Vertical Transport	3 - 19
A682 2553	Rear Hook - Vertical Transport Cover	3 - 26
A682 2559	Lever Stopper	3 - 15
A682 2565	Stopper - Vertical Transport Cover	3 - 18
B004 2782	Rear Feed Mylar	9 - 12
G060 2725	Stay - Paper Separation	9 - 18
G060 2774	Lift Shaft	5 - 21
G060 2801	Holder - Paper Tray	11 - 15
G060 2900	Torque Limiter - 40mn·m 18mm	9 - 14
G065 2774	Pressure Lever	9 - 20
G065 2775	Link Lever	9 - 7
G065 2776	Release Lever	9 - 9
G313 2764	Rear Grounding Plate	7 - 22
G313 2765	Front Grounding Plate	9 - 1
G313 2775	Spring Plate	5 - 15

Part No.	Description	Page and Index No.
G313 2782	Shield	5 - 27
G313 2783	Tension Spring - Paper Size Detect	5 - 25
G313 2787	Cushion:Tray Bottom Plate	5 - 30
G313 2788	Cushion:Base:2	5 - 29
G313 5560	Heater - 13w 100mm NA/EU (57/66/67)	3 - 37
G567 6310	Bracket:Coupling:Paper Bank	3 - 21
G567 6311	Bracket:Coupling:2	7 - 5
G569 1078	Drawer Bracket	3 - 7
G569 2565	Guide Plate - Vertical Transport	3 - 10
G569 2570	Grounding Plate - Vertical Transport Shaft	3 - 1
G569 2724	Gear - Z24	7 - 29
G569 2819	Timing Belt - S3M 222	7 - 10
G569 2822	Gear - Z30	7 - 6
G569 2829	Gear - 31Z	11 - 1
G569 2846	Upper Drum Stay - Feed Roller	7 - 13
G569 2850	Timing Belt - S3M150	11 - 12
G569 6160	Front Stand (17/26/27)	3 - 24
G569 6161	Rear Stand (17/26/27)	3 - 9
G569 6168	Rear Left Stand Bracket (17/26/27)	3 - 29
G569 6169	Rear Right Stand Bracket (17/26/27)	3 - 28
G569 6170	Bracket - Stand (17/26/27)	3 - 42
G569 6200	Side Stand (57/66/67)	3 - 43
G569 6206	Stepped Screw - Short	3 - 39
G569 6207	Stepped Screw - Long	3 - 40

Part No.	Description	Page and Index No.
AA06 0691	Tension Spring	7 - 23
AA06 0693	Tension Spring	9 - 6
AA06 0715	Pressure Spring	3 - 16
AA06 0908	Release Spring	9 - 19
AA06 3573	Compression Spring	3 - 13
AA08 0254	Bushing - M4	3 - 12
AA08 2070	Bushing - 8x16x7	9 - 4
AA08 2072	Bushing - M6	7 - 19
AA08 3014	One-way Clutch	7 - 16
AA10 0014	Retaining Ring C - Separate	11 - 13
AA10 0014	Retaining Ring C - Separate	7 - 4
AA10 0014	Retaining Ring C - Separate	9 - 16
AA14 0656	Shaft - Gear	9 - 17
AA14 0670	Un Lock Shaft	3 - 17
AA14 0743	Shaft - Feed	7 - 24
AA16 1131	Cushion - Stepper Motor	11 - 17
AB01 0106	Gear - 24Z	9 - 10
AB01 0107	Gear - 23Z	9 - 11
AB01 1188	Gear - 21Z	7 - 26
AB01 1218	Gear - Roller Clutch	7 - 28
AB01 3868	Gear - 16Z	5 - 12
AB01 4038	Gear - 22Z	7 - 30
AB03 0565	Timing Pulley - 20T	9 - 5
AF01 3014	Bottom Plate Pad	5 - 11
AF02 0404	Transport Roller	9 - 3
AF03 0049	Pick-up Roller (17/26/27)	7 - 27
AF03 0085	Paper Feed Roller - Pickup (57/66/67)	7 - 27
AF03 1049	Feed Roller (17/26/27)	7 - 17
AF03 1085	Paper Feed Roller - Feed (57/66/67)	7 - 17
AF03 2049	Separation Roller (17/26/27)	9 - 15
AF03 2085	Paper Feed Roller - Separate (57/66/67)	9 - 15
AH01 2013	Stopper Caster - 60kgf	3 - 22
AH01 2014	Caster - 60kgf	3 - 25
AW02 0056	Photointerruptor - EE-SX4235A-P1	7 - 20
AW02 0056	Photointerruptor - EE-SX4235A-P1	11 - 14

Part No.	Description	Page and Index No.
AW02 0131	Photo-interruptor-vertical Transp.	7 - 2
AW50 0023	Push Switch	11 - 16
AX04 0128	DC Motor - 2.16W	11 - 6
AX20 0221	Magnetic Clutch - Paper Feed	7 - 18
AX40 0109	Heater - 120V 9W (17/26/27)	3 - 34
AX40 0110	Heater - 230V 9W (17/26/27)	3 - 34
GA00 3040	Decal - Front	17 - 4
GA00 3056	Decal - Heater Warning	3 - 30
GA00 3056	Decal - Heater Warning	17 - 3
GA00 3067	Decal:Paper Tray:No.2:Left	5 - 24
GA00 3067	Decal:Paper Tray:No.2:Left	17 - 1
GA00 3068	Decal:Paper Tray:No.2:Right	5 - 23
GA00 3068	Decal:Paper Tray:No.2:Right	17 - 2

Part No.	Description	Page and Index No.
0314 0060B	Philips Pan Head Screw - M4x6	5 - 104
0314 0080B	Philips Pan Head Screw - M4x8	11 - 105
0353 0060B	Philips Pan Head Screw - M3x6	3 - 104
0450 3008B	Tapping Screw - M3x8	5 - 101
0450 4010B	Tapping Screw - 4x10	3 - 103
0450 4010B	Tapping Screw - 4x10	5 - 102
0451 3005B	Tapping Screw - M3x5	9 - 101
0451 3005B	Tapping Screw - M3x5	7 - 101
0451 3006B	Tapping Screw - M3x6	7 - 104
0451 3006B	Tapping Screw - M3x6	11 - 103
0451 3006B	Tapping Screw - M3x6	3 - 102
0451 3008B	Tapping Screw - M3x8	7 - 102
0451 3008B	Tapping Screw - M3x8	11 - 102
0451 3008H	Tapping Screw - M3x8	3 - 101
0720 0040E	Retaining Ring - M4	9 - 102
0720 0060E	Retaining Ring - M6	5 - 103
0720 0060E	Retaining Ring - M6	9 - 104
0805 0088	Retaining Ring - M6	3 - 105
0805 0089	Retaining Ring - M4	7 - 106
0805 3480	Bushing - 6mm	7 - 105
0805 3480	Bushing - 6mm	9 - 103
0951 4008Z	Philips Screw With Flat Washer - M4x8	3 - 106
1102 6300	Connector - 7P	13 - 101
1102 6300	Connector - 7P	15 - 101
1102 6302	Connector - 9P	15 - 102
1102 6302	Connector - 9P	13 - 102
1102 6305	Connector - 12P	15 - 103
1102 6305	Connector - 12P	13 - 103
1102 6307	Connector - 14P	13 - 104
1102 6307	Connector - 14P	15 - 104
1102 6308	Connector - 15P	13 - 105
1102 6308	Connector - 15P	15 - 105
1102 6316	Connector - 9P	13 - 106
1102 6316	Connector - 9P	15 - 106
1102 6321	Connector	13 - 107

Part No.	Description	Page and Index No.
1102 6321	Connector	15 - 107
1102 7244	Connector	15 - 108
1102 7244	Connector	13 - 108
1105 0192	Locking Support	11 - 101
1105 0487	Harness Clamp	11 - 104
1105 0487	Harness Clamp	3 - 107
1105 0511	Harness Clamp - LWS-0306ZC	7 - 103
1400 0398	Transistor - 2SC2412K	15 - 109
1400 0398	Transistor - 2SC2412K	13 - 109
1402 1378	Diode - PTZ12A	13 - 110
1402 1380	Diode - PTZ 6.2A	13 - 111
1402 1662	Diode:Ptz6.2b	15 - 110
1402 1663	Diode - ZTP12B	15 - 111
1403 0520	Photocoupler - TLP521-1	15 - 112
1403 0520	Photocoupler - Tlp521-1	13 - 112
1407 1535	IC - TD62308AP	15 - 113
1407 1535	IC - TD62308AP	13 - 113
1407 1596	TTLIC - SN74LS14NS	13 - 114
1407 1596	TTLIC - SN74LS14NS	15 - 114
1407 2187	TTLIC - SN74LS07NS	13 - 115
1407 2187	TTLIC - SN74LS07NS	15 - 115
1407 4687	IC - TA8083F	13 - 116
1407 4687	IC - TA8083F	15 - 116
1408 0611	IC - 3771	13 - 117
1408 0611	IC - 3771	15 - 117
1408 1394	IC - STK672-110	15 - 118
1408 1394	IC - STK672-110	13 - 118
1503 0865	Oscillator - 9.8304MHZ	15 - 119
1503 0865	Oscillator - 9.8304MHZ	13 - 119
1601 7751	Resistor - 4.7K Ω \pm 5%	15 - 120
1601 7751	Resistor - 4.7K Ω \pm 5%	13 - 120
1601 7752	Resistor Array - 10K Ω \pm 5%	13 - 121
1601 7752	Resistor Array - 10K Ω \pm 5%	15 - 121
1601 7791	Resistor Array - 1K Ω \pm 5%	15 - 122
1601 7791	Resistor Array - 1K Ω \pm 5%	13 - 122

Part No.	Description	Page and Index No.
1604 2522	Capacitor - 220 μ F \pm 20%	15 -123
1604 4659	Capacitor - 120 μ F \pm 20% 50V	15 -124
1611 9222	Resistor - 2.2K Ω \pm 5% 1/2W	13 -123
1611 9222	Resistor - 2.2K Ω \pm 5% 1/2W	15 -125
1630 4100	Resistor - 10 Ω \pm 5% 1/16W	13 -124
1630 4103	Resistor - 10K Ω \pm 5% 1/16W	13 -125
1630 4161	Resistor - 160 Ω \pm 5% 1/16W	13 -126
1630 4201	Resistor - 200 Ω \pm 5% 1/16W	13 -127
1630 4222	Resistor - 2.2K Ω \pm 5%	13 -128
1630 4392	Resistor - 3.9 Ω \pm 5% 1/16W	13 -129
1630 4472	Resistor - 4.7K Ω \pm 5% 1/16W	13 -130
1630 4562	Resistor - 5.6k Ω - \pm 5% - 1/16W	13 -131
1633 0000	Resistor - 0 Ω 1/10W	13 -132
1633 0000	Resistor - 0 Ω 1/10W	15 -126
1634 0000	Resistor - 0 Ω 1/16W	13 -133
1634 0000	Resistor - 0 Ω 1/16W	15 -127
1634 5109	Resistor - 51.0 Ω \pm 1% 1/16W	13 -134
1634 5600	Resistor - 560 Ω \pm 1% 1/16W	13 -135
1634 8201	Resistor - 8.2K Ω \pm 1% 1/16W	13 -136
1640 5100	Capacitor - 10 μ F +20% 50	13 -137
1640 5100	Capacitor - 10 μ F +20% 50	15 -128
1640 5470	Capacitor - 47 μ F \pm 20% 50V	15 -129
1640 5470	Capacitor - 47 μ F \pm 20% 50V	13 -138
1650 4100	Resistor - 10 Ω \pm 5% 1/10W	15 -130
1650 4103	Resistor - 10K Ω \pm 5% 1/10W	15 -131
1650 4161	Resistor - 160 Ω \pm 5% 1/10W	15 -132
1650 4201	Resistor - 200 Ω \pm 5%1/10W	15 -133
1650 4222	Resistor - 2.2K Ω \pm 5%1/10W	15 -134
1650 4472	Resistor - 4.7K Ω \pm 5% 1/10W	15 -135
1650 4562	Resistor - 5.6K Ω \pm 5% 1/10W	15 -136
1654 5109	Resistor:51 Ω : \pm 1%:1/10w	15 -137
1654 5600	Resistor - 560 Ω \pm 1% 1/10W	15 -138
1654 8201	Resistor - 8.2K Ω \pm 1% 1/10W	15 -139
1660 2220	Capacitor - 22pF \pm 20% 35V	15 -140
1660 2220	Capacitor - 22pF \pm 20% 35V	13 -139

Part No.	Description	Page and Index No.
1660 2471	Capacitor - 470pF - \pm 5% - 50V	13 -140
1660 2471	Capacitor - 470pF - \pm 5% - 50V	15 -141
1660 4102	Capacitor - 1000pF \pm 10% 50V	13 -141
1660 4102	Capacitor - 1000pF \pm 10% 50V	15 -142
1660 4103	Capacitor - 10000pF - \pm 10% - 50V	15 -143
1660 4103	Capacitor - 10000pF - \pm 10% - 50V	13 -142
1660 8104	Capacitor - 0.1 μ F +80-20% 25V	15 -144
1660 8104	Capacitor - 0.1 μ F +80-20% 25V	13 -143

Part No.	Description	Page and Index No.
5206 2686	Snap Ring	9 - 8
5215 2621	Snap Ring - M6	11 - 3

Part No.	Description	Page and Index No.
----------	-------------	--------------------